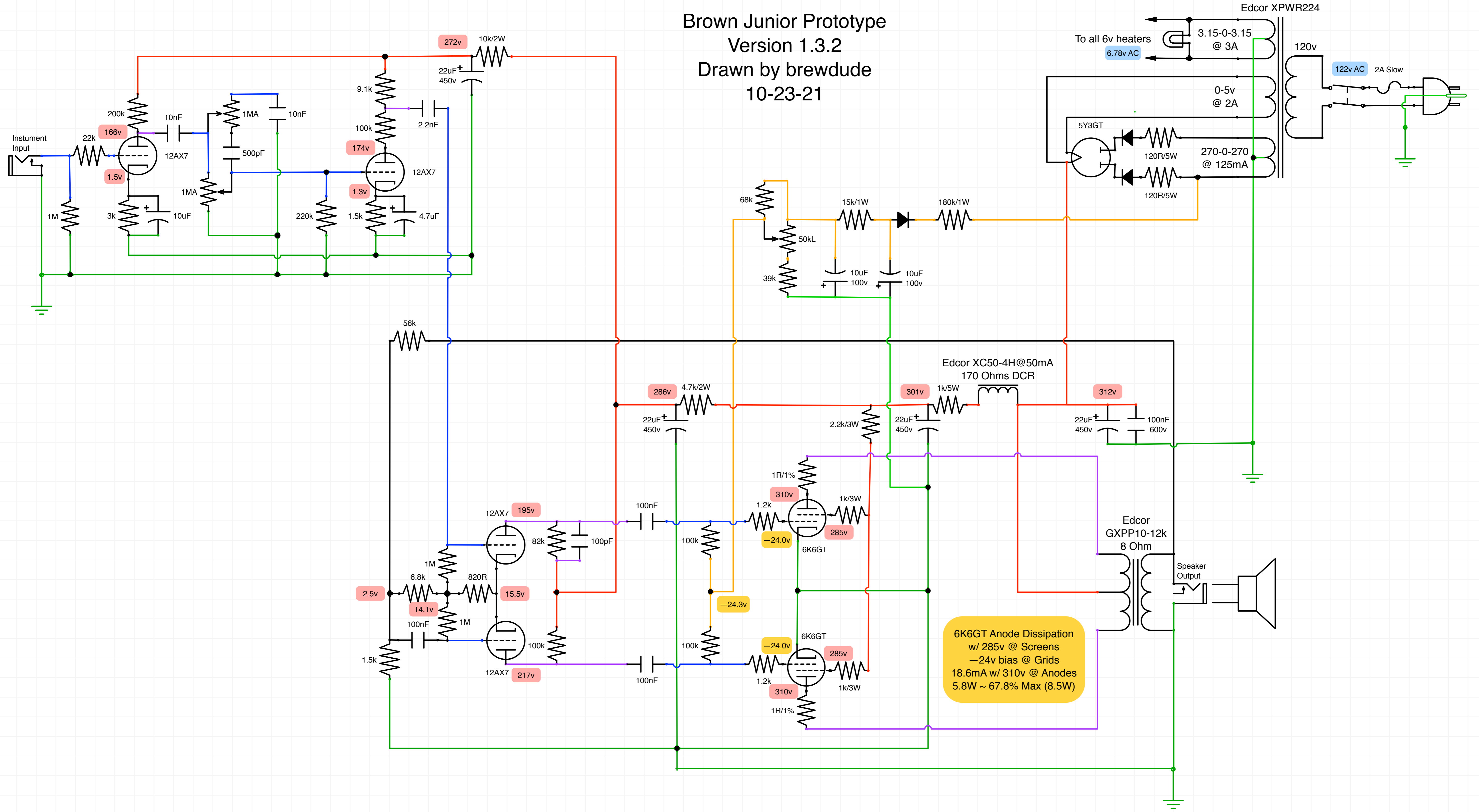


Brown Junior Prototype
Version 1.3.2
Drawn by brewdude
10-23-21



6K6GT Anode Dissipation
w/ 285v @ Screens
-24v bias @ Grids
18.6mA w/ 310v @ Anodes
5.8W ~ 67.8% Max (8.5W)