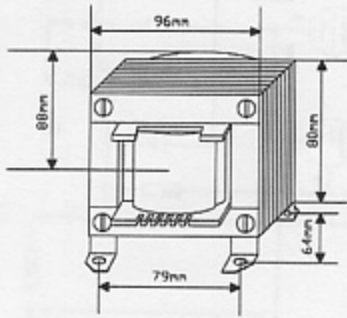
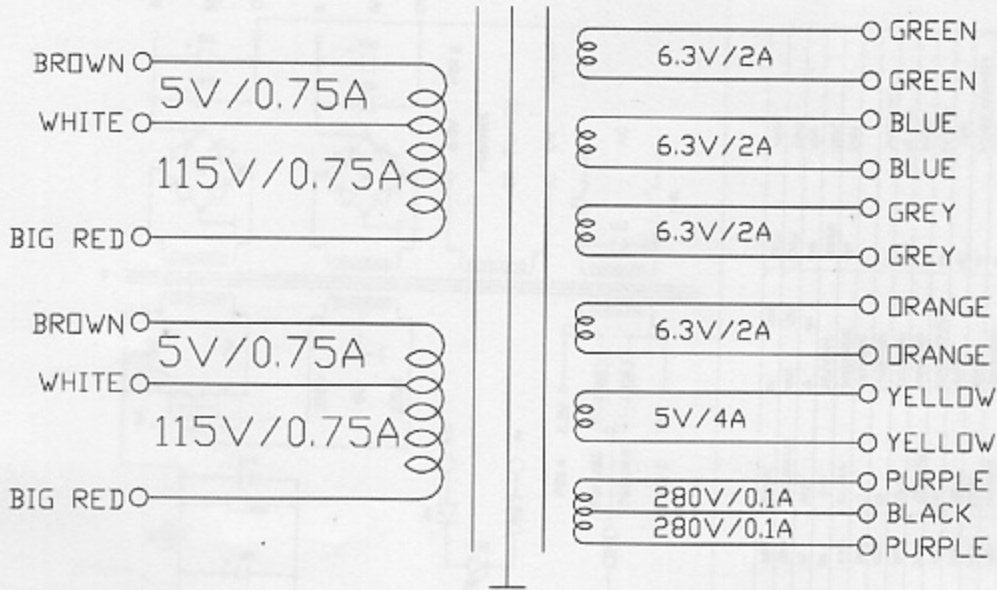
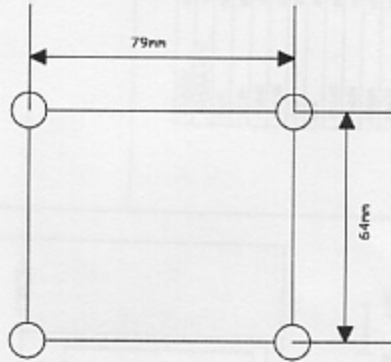


# PT150-5 POWER TRANSFORMER

## 01-96X45



SIZE:96X80X88(mm)



MOUNTING HOLE:79X64(mm)

|                  |                              |
|------------------|------------------------------|
| PARTS NO         | PT150-5                      |
| PRIMARY VOLTAGE  | (115V+5V)/0.75x2             |
| FILAMENT VOLTAGE | 6.3V/2Ax4 5V/4Ax1            |
| PLATE VOLTAGE    | 280V/0.1Ax2                  |
| GRID VOLTAGE(-V) | NO                           |
| VOLTS:URNS       | 1V=3T                        |
| POWER            | 170W                         |
| TUBE             | 12AX7x5 12AU7x2 6V6x1 5AR4x1 |
| CORE             | EI96(H14)                    |
| CORE WEIGHT      | 2187g                        |
| NET WEIGHT       | 3105g                        |

10/11/2021, 4:32 PM