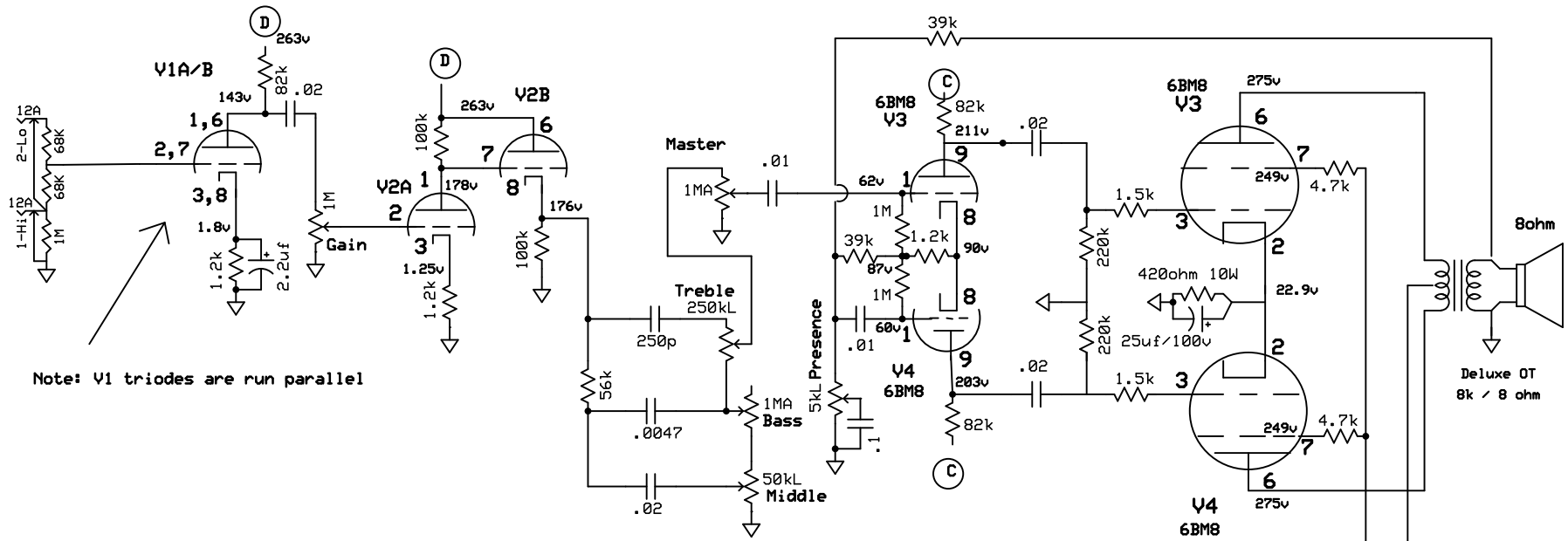
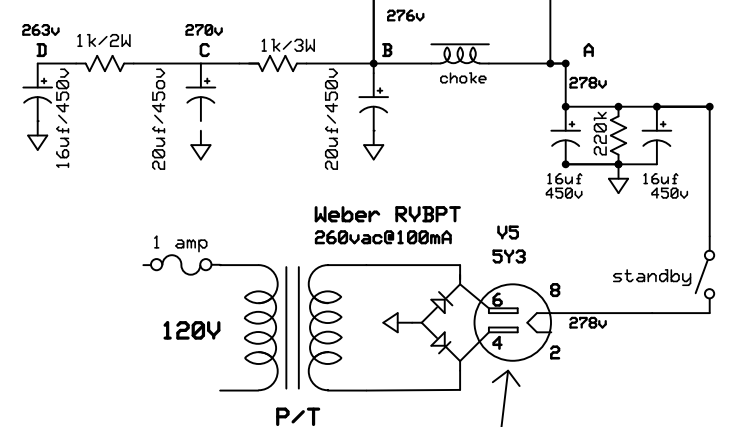
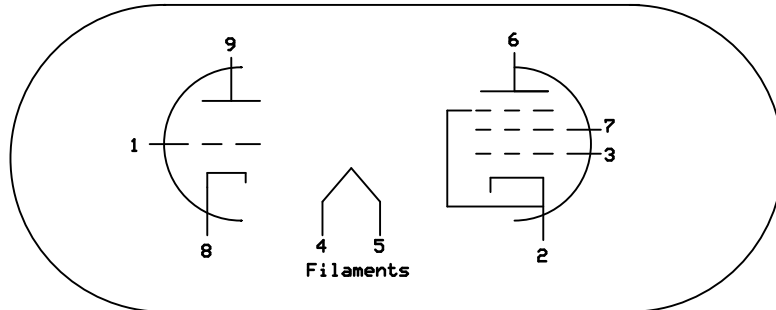


6BM8 / 7watt "Mini Bassman" rev.1.7 02/09/2007



Note: V1 triodes are run parallel

6BM8 Triode / Pentode pinout



NOTE: 5v supply is rated 3A, so any common rectifier may be used