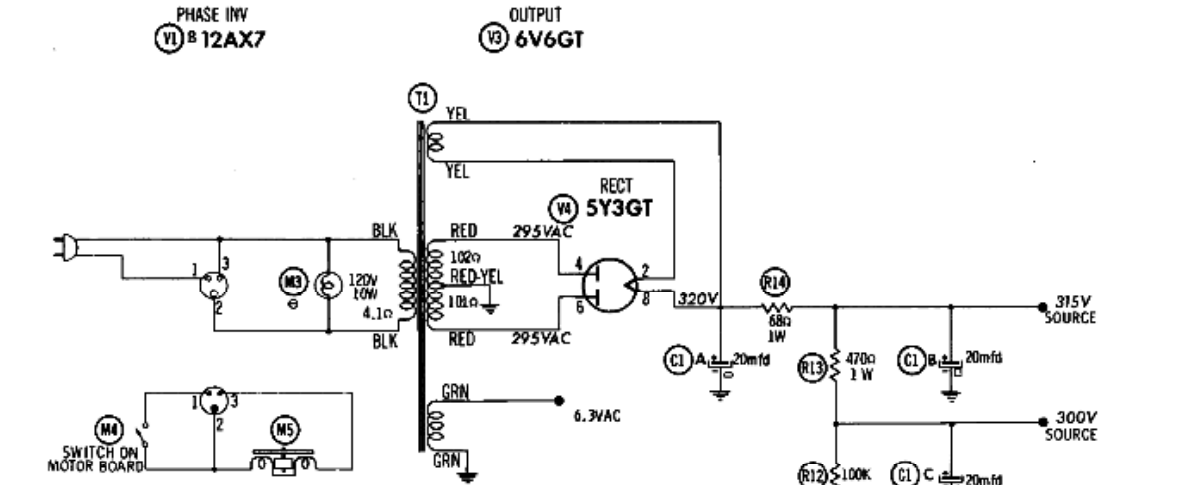
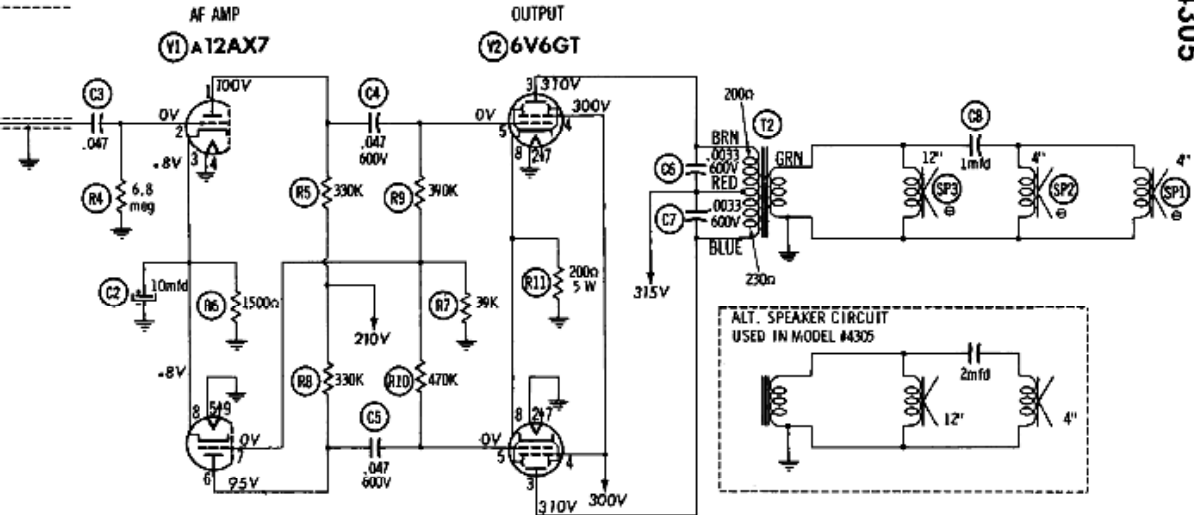


1. DC voltage measurements taken with vacuum tube voltmeter; AC voltages measured at 1000 ohms per volt.
2. Socket connections are shown as bottom views.
3. Measured values are from socket pin to common negative.
4. Line voltage maintained at 117 volts for voltage readings.
5. Nominal tolerance of component values makes possible a variation of $\pm 15\%$ in voltage and resistance readings.
6. All controls at minimum, proper output load connected.

SEE PARTS LIST FOR ALTERNATE VALUE OR APPLICATION



RESISTANCE READINGS

ITEM	TUBE	Pin 1	Pin 2	Pin 3	Pin 4	Pin 5	Pin 6	Pin 7	Pin 8	Pin 9
V1	12AX7	† 430K	6.9Meg	1500 Ω	0 Ω	0 Ω	† 430K	39K	1500 Ω	.1 Ω
V2	6V6GT	NC	0 Ω	† 268 Ω	† 540 Ω	425K	NC	.1 Ω	200 Ω	
V3	6V6GT	NC	0 Ω	† 300 Ω	† 540 Ω	510K	NC	.1 Ω	200 Ω	
V4	5Y3GT	NC	20K(Min)	NC	102 Ω	NC	101 Ω	NC	20K(Min)	

† MEASURED FROM PIN 8 OF V4
NC NO CONNECTION

