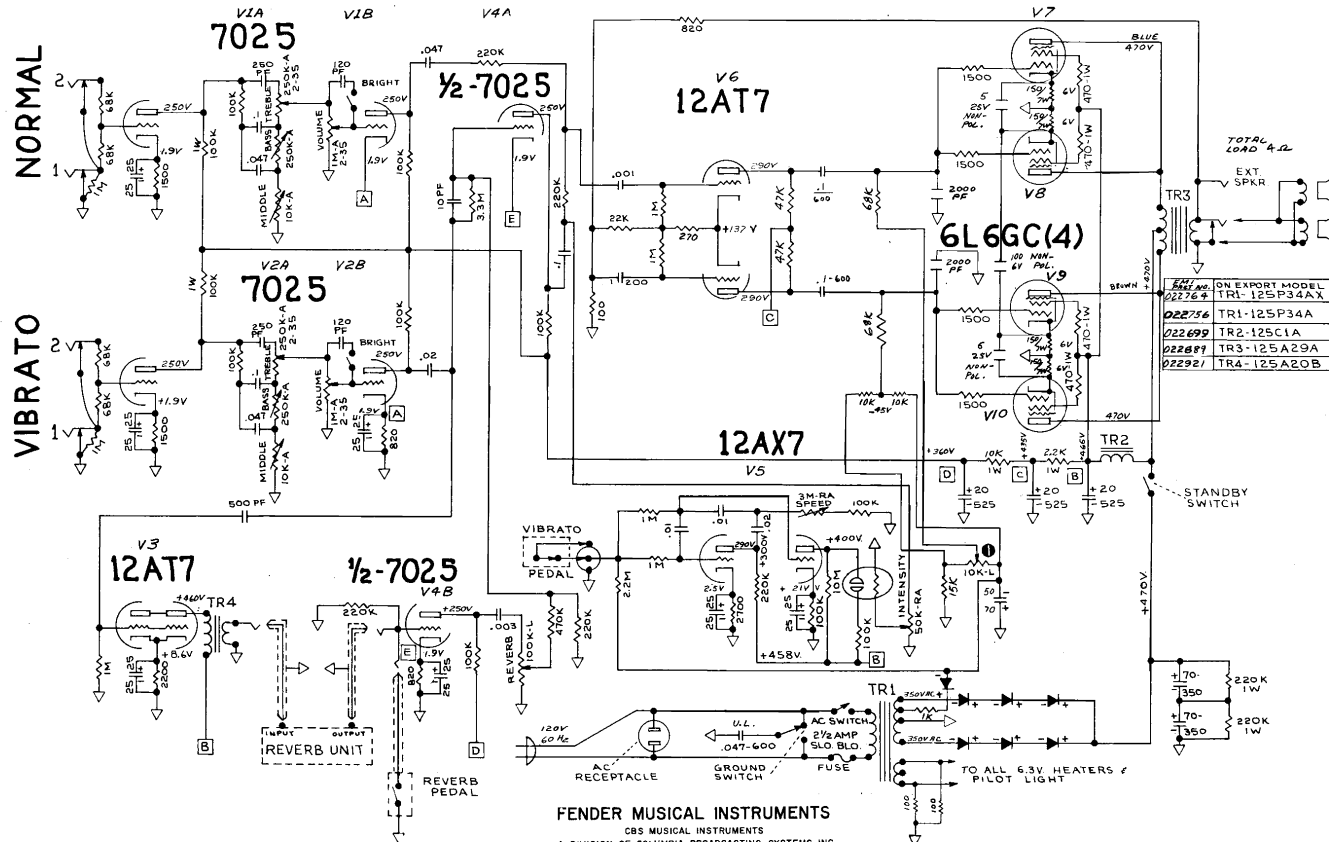


FENDER MODEL "TWIN REVERB-AMPA 568" SCHEMATIC NOTICE

THIS PRODUCT MANUFACTURED UNDER ONE OR MORE OF THE FOLLOWING U.S. PATENTS - # 2,811,770, # 2,973,681, 1,928,557 PATENTS FENDING.

C-FD

- 1- VOLTAGES READ TO GROUND WITH V.T.V.M.
- 2- VALUES SHOWN + OR - 20%
- 3- ALL RESISTORS 1/2 WATT 10% TOLERANCE IF NOT SPECIFIED
- 4- ALL CAPACITORS AT LEAST 400 VOLT RATING IF NOT SPECIFIED
- 5- VOLTAGES MEASURED WITH VIBRATO PEDAL GROUND TO CHASSIS.



TOTAL LOAD 4.0
EXT. SPKR

022736	TR1-125P34A
022699	TR2-125C1A
022889	TR3-125A29A
022921	TR4-125A20B

FENDER MUSICAL INSTRUMENTS
CBS MUSICAL INSTRUMENTS
A DIVISION OF COLUMBIA BROADCASTING SYSTEMS INC.
SANTA ANA, CALIFORNIA
U.S.A.

DWN. F.J.	DATE 5-27-68	Fender MUSICAL INSTRUMENTS SANTA ANA, CALIFORNIA	
CHK.	DATE	DWG. TITLE	
APPD.	DATE	SCHEMATIC & WIRING	
APPD.	DATE	DIAGRAM - TWIN REVERB	
APPD.	DATE	TUBE TYPE	
APPROVAL- A. J. J. 5-27-68	REL. NO. 480	SIZE D	DWG. NO. 045377
APPROVAL-	SCALE NPL 6	MODEL TWIN REVERB TUBE TYPE	SHEET 1 OF 2