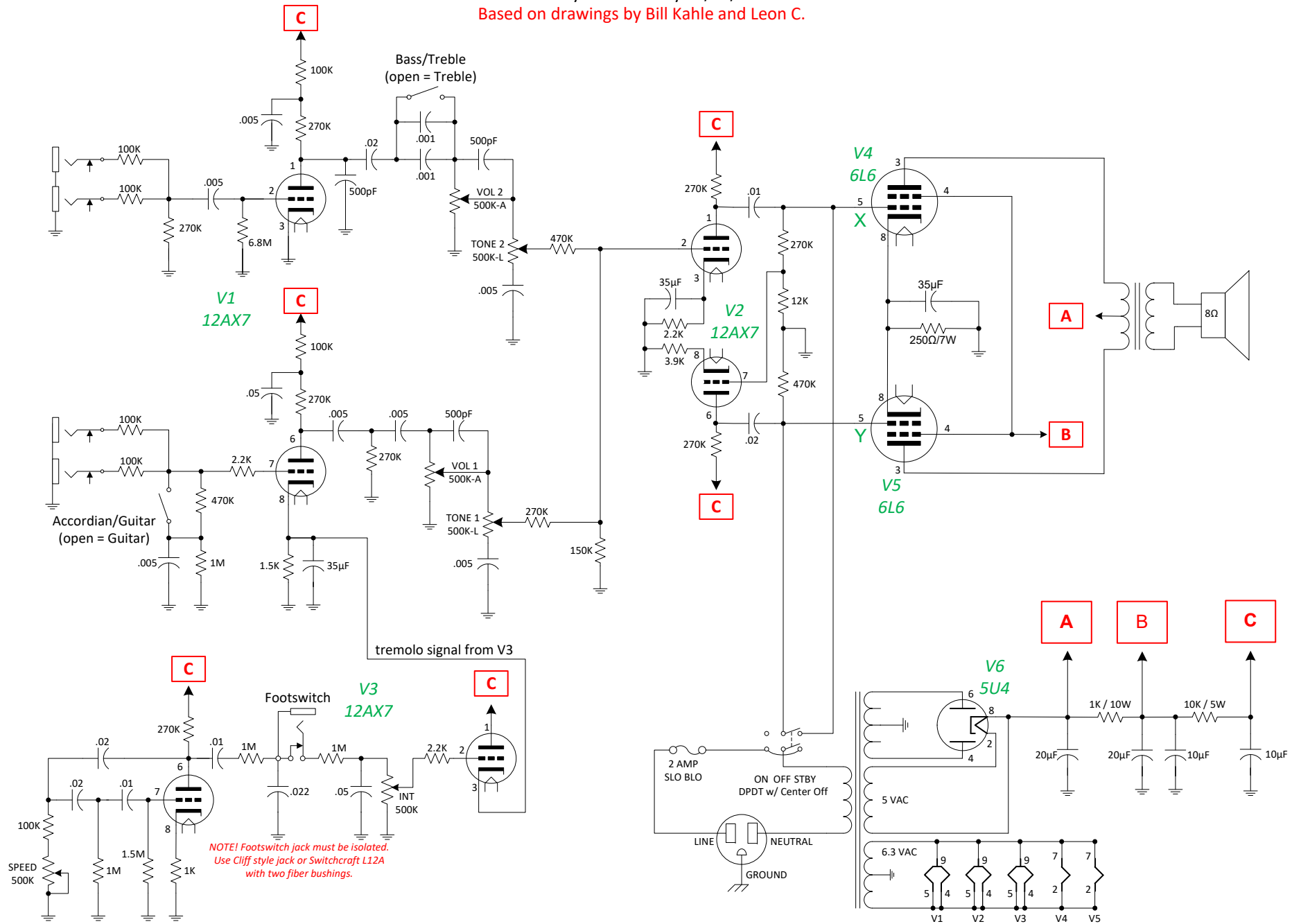
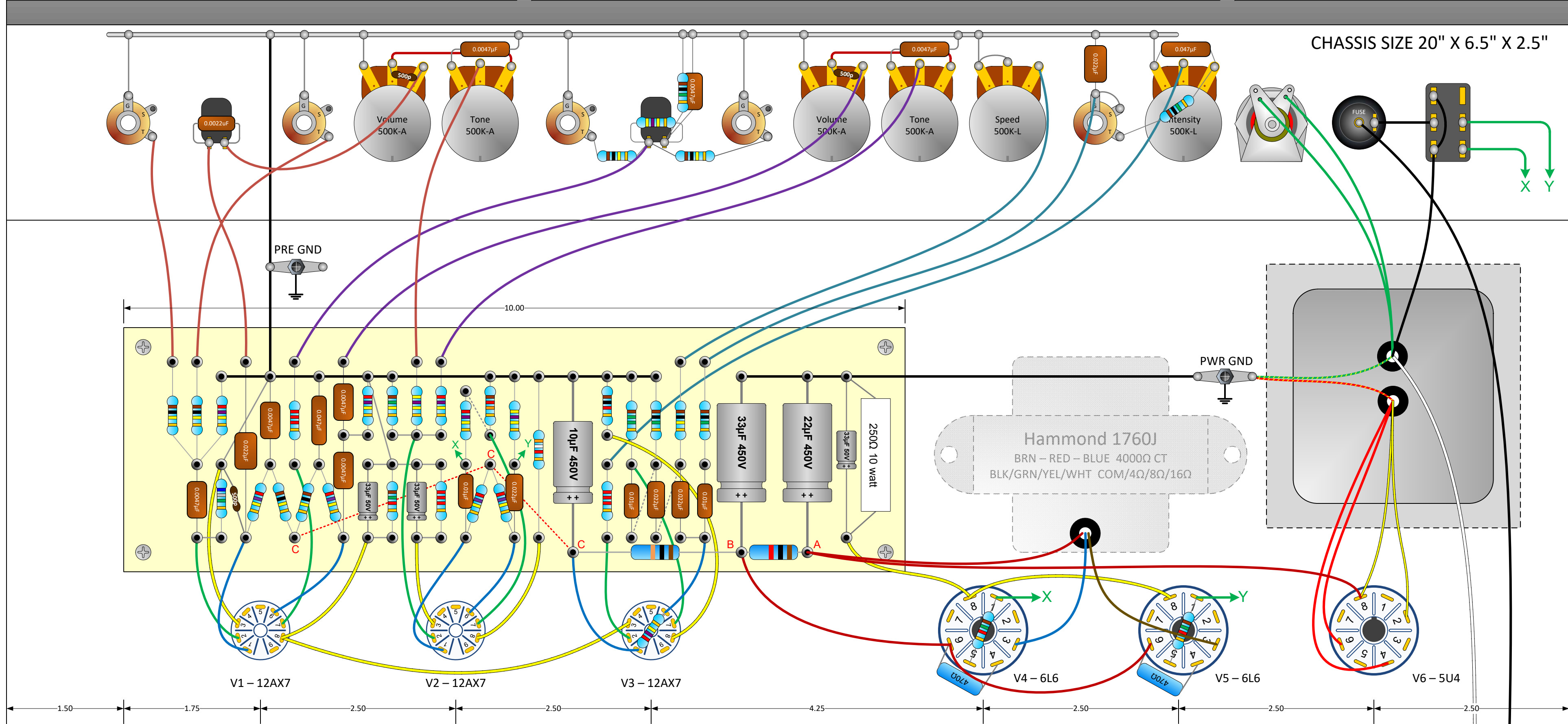
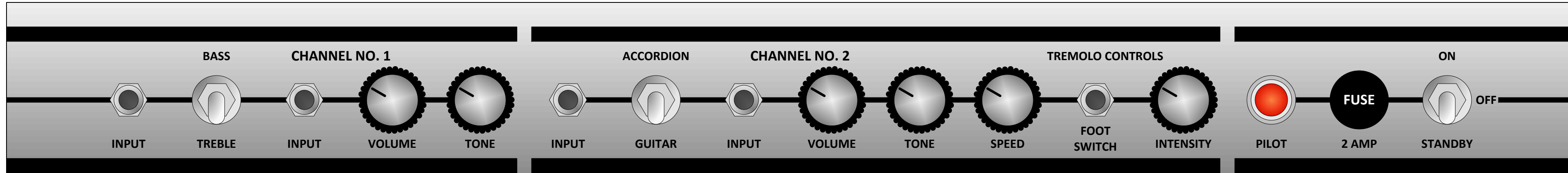
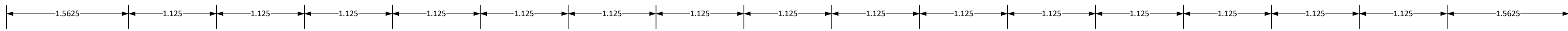


Supro 1696TN

Drawn by Steve Luckey 03/03/2022

Based on drawings by Bill Kahle and Leon C.





DRILL GUIDE

INSTRUCTIONS FOR PRINTING DRILL GUIDE

- ⊕ Turret --- drill size is 3/32"
- ⊕ Standoff – drill size to fit
- ⊕ Hole for wire pass thru – drill size to fit
- Dashed lines are underboard jumpers

Board size is 3 1/8" X 10". Print this drill guide FULL SIZE on letter sized paper. Measure the board length of the printout to verify it is 10". Attach to blank board using double sided carpet tape. Use a center punch to put a mark at the cross hairs of each turret, standoff, and hole. Use a 3/32" drill bit to drill all holes. Then enlarge holes as needed for screws and wire pass thru.

