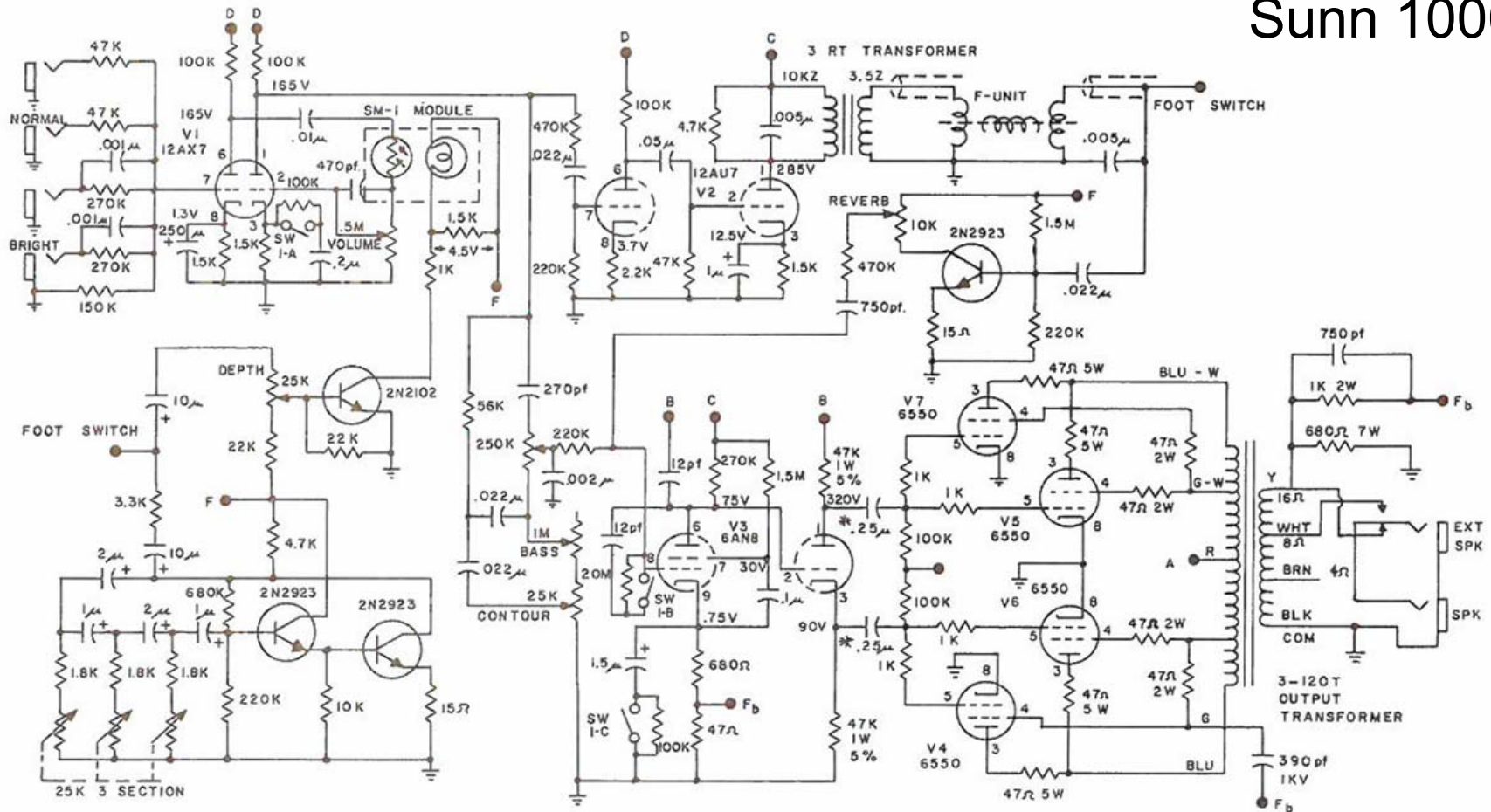


Sunn 1000S



UNLESS OTHERWISE NOTED
 RESISTORS 1/2W 10%
 CAPACITORS 400VDC * 600VDC
 MIDRANGE BOOST SW IA, IB, IC
 ON COMMON SHAFT
 SW IA OPEN WHEN SW IB AND
 SW IC ARE CLOSED

