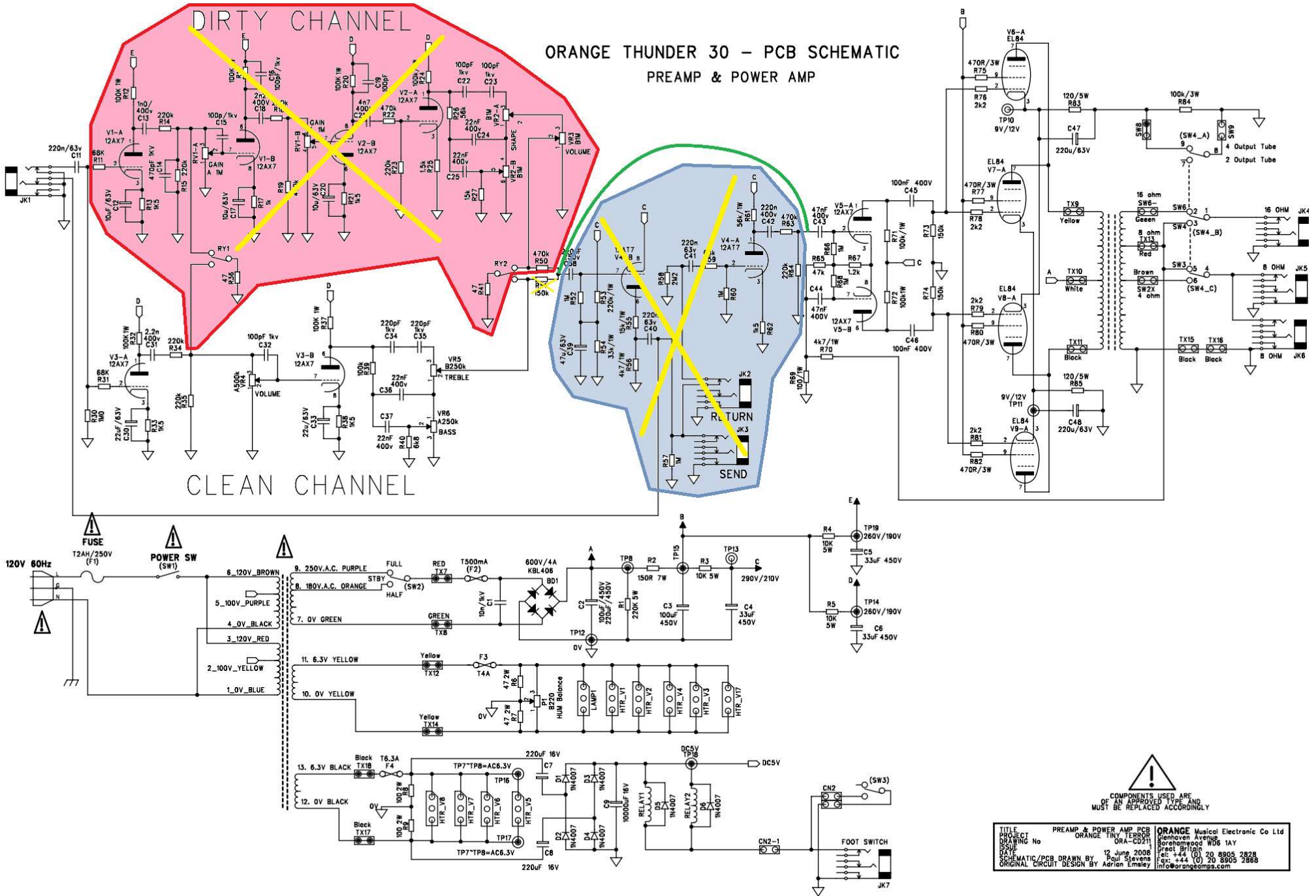


# ORANGE THUNDER 30 - PCB SCHEMATIC PREAMP & POWER AMP



**!**  
COMPONENTS USED ARE  
OF AN APPROVED TYPE AND  
MUST BE REPLACED ACCORDINGLY

TITLE	PREAMP & POWER AMP PCB	ORANGE Musical Electronic Co Ltd
PROJECT	ORANGE TINY TERROR	Wenham Avenue
DRAWING No	ORA-C0211	Borehamwood WD6 1AY
DATE	12 June 2008	Great Britain
ISSUE	1	tel: +44 (0) 20 8905 2828
SCHEMATIC/PCB DRAWN BY	Paul Stevens	fax: +44 (0) 20 8905 2888
ORIGINAL CIRCUIT DESIGN BY	Adrian Emley	info@orangeamps.com