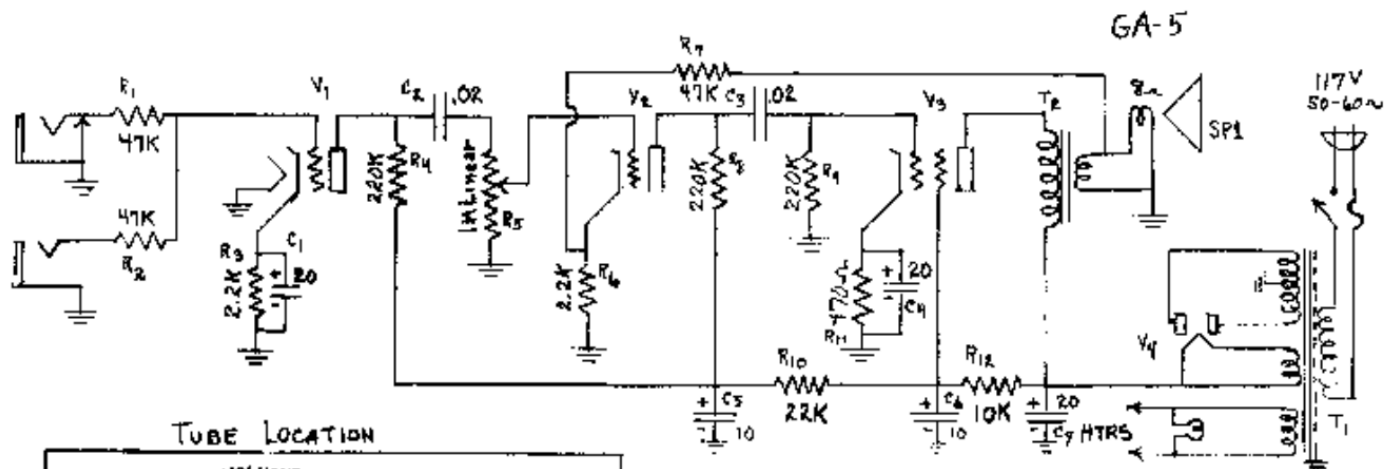
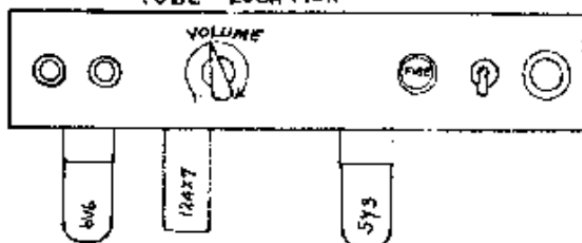


GA-5



TUBE LOCATION



DC VOLTAGES TO CHASSIS USING VTVM (11 MEG INPUT)				
TUBE	W.B.E.	PLATE	SCREEN	CATHODE
V1	12AX7	VOLTAGE AMPLIFIER	165	1.5
V2	"	"	165	1.5
V3	6V3	POWER	375	20
V4	5Y3	RECTIFIER	300 ^{AC}	380

PARTS LIST

R₁ R₂ R₇ 47K ½w, R₃ R₆ 2.2K ½w, R₄ R₅ R₉ 220K ½w, R₁₀ 22K 1w, R₁₁ 470-1w, R₁₂ 10K 1w, R₅ 1MEG LINEAR ZAPPER

C₁ C₄ 20MFD 25 VOLT, C₂ C₃ .02MFD 400VOLT, C₅ C₆ 10MFD 450VOLT, C₇ 20MFD 450VOLT

T₁ POWER TRANSFORMER # GA5P T₂ OUTPUT TRANSFORMER # GA5-0 SP1 SPEAKER, 8" dia, 8-Ω VC, TYPE 8J11.

When only one instrument is used plug into #1 input Jack.

This amplifier designed for 105-125 volt, 50-60 cycles current. Damage will result if connected to improper power source.

Use the above schematic to facilitate service by a reliable radio man.

Do not use higher rating fuse than one ampere, type 3 A.G.

This amplifier was carefully checked and in good playing condition when shipped. If damaged when received call transportation company immediately and place claim.