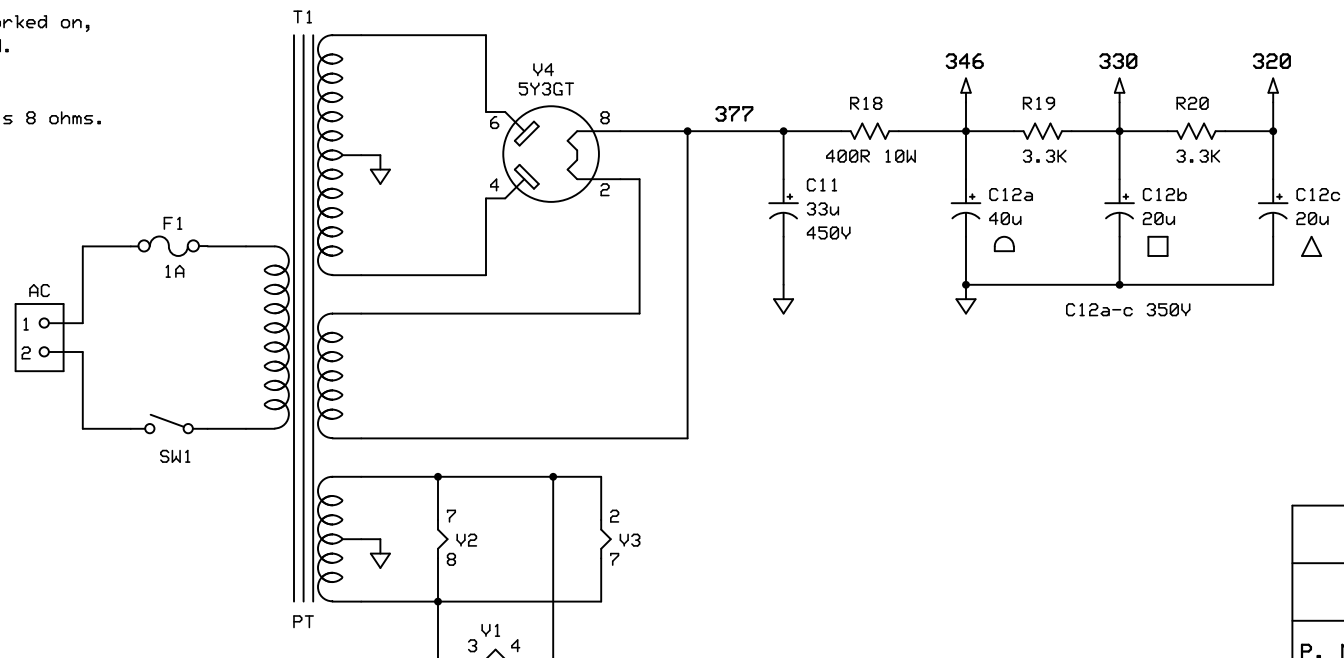


Notes:

The power tube circuits seem to have been worked on, plate and screen tap leads have been spliced.
 All resistors are 1/2W carbon comp. UON.
 J1 is isolation mounted.
 Speaker measures 6.2 ohms DCR - assuming it's 8 ohms.



S.T.A.C.		
Tape Master SA-13 s/n 1549		
P. Mitcheltree	Rev 1.0 7/10/2022	Page 1 of 1