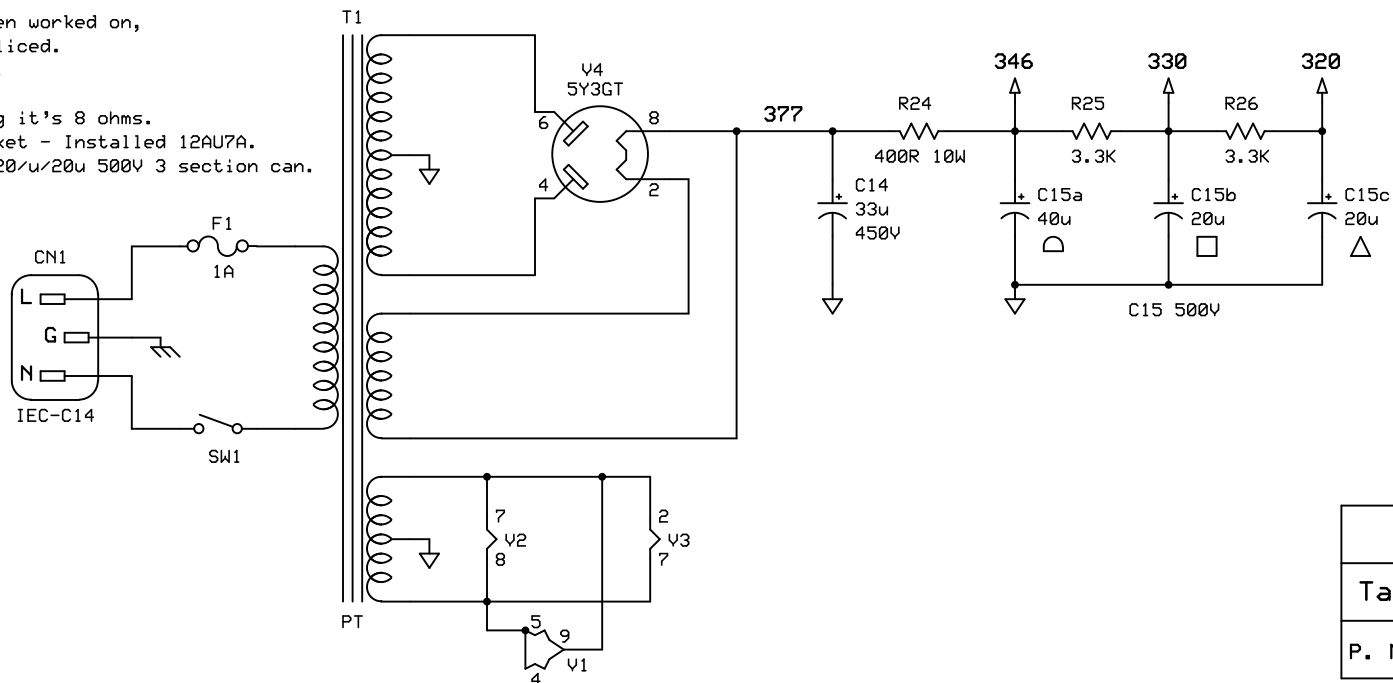


**Notes:**

The power tube circuits seem to have been worked on, plate and screen tap leads have been spliced.  
 All resistors are 1/2W carbon comp. UON.  
 J1 is isolation mounted.  
 Speaker measures 6.2 ohms DCR - assuming it's 8 ohms.  
 V1 punched out to accept 9pin noval socket - Installed 12AU7A.  
 C15 is CE Mfg. type C-EC40-20-20 - 40u/20u/20u 500V 3 section can.



Voltage Chart

	V1	V2	V3	V4
1	267	g1	n/c	n/c
2	g1	127	fil	
3	2.50	5.75	335	n/c
4	fil	g1	345	352AC
5	fil	37.5	g1	n/c
6	182	8.90	n/c	352AC
7	g1	fil	fil	n/c
8	1.75	fil	24.5	377
9	fil	n/a	n/a	n/a

<b>S.T.A.C.</b>		
Tape Master SA-13 chop-n-bob s/n 1549		
P. Mitcheltree	Rev 1.0	Page 1 of 1
	7/10/2022	