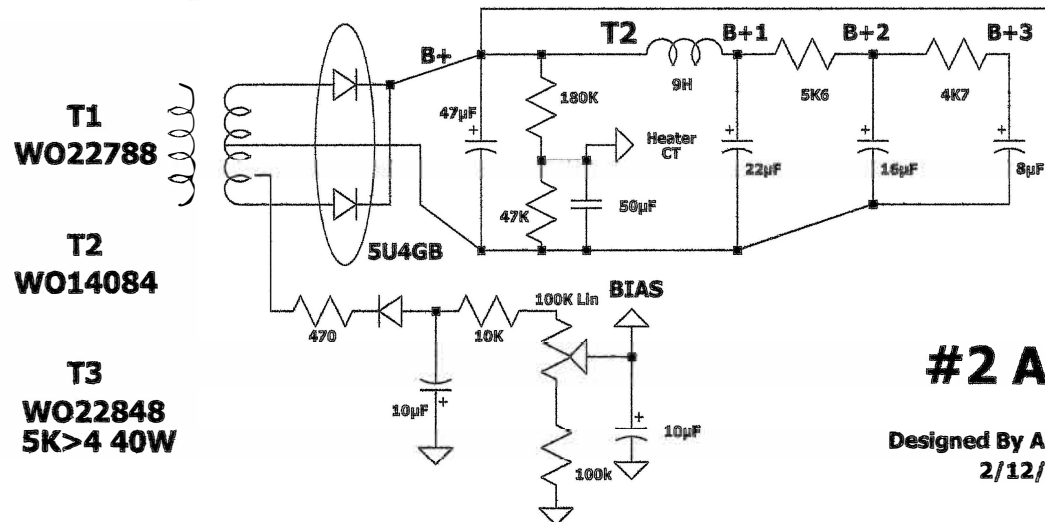


V1	A 213.9	V4	P 361.5	40 mA
	C 2	S 361.7		
	S 120.4			
V2a	A 180	V5	P 361.5	40 mA
	C 1.02	S 361.7		
V2b	A 294.1	B+	362.1	
	C 227.5	B+1	360.1	
V3a	A 179.9	B+2	316.6	
	C 65.9	B+3	293.4	
V3b	A 167.6	BIAS	-35.3	
	C 65.9			



#2 AMP

Designed By Andrew Heck
2/12/2022